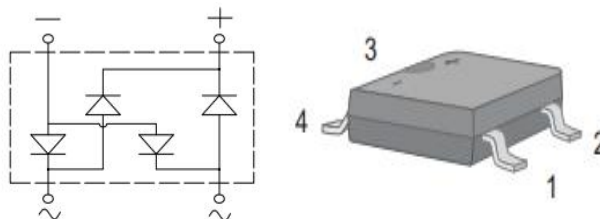


**Bridge Rectifier Diode 整流桥**

■ **Features 特点**

Glass passivated chip junction 玻璃钝化结  
High surge current capability 高浪涌电流能力  
Reflow Solder Temperature 220°C 回流焊温度 220 度  
Package 封装: ABS



■ **Maximum Rating 最大额定值**

( $T_A=25^{\circ}\text{C}$  unless otherwise noted 如无特殊说明, 温度为  $25^{\circ}\text{C}$ )

Characteristic 特性参数	Symbol 符号	FBS205	FBS21	FBS22	FBS24	FBS26	FBS28	FBS210	Unit 单位
Peak Reverse Voltage 反向峰值电压	$V_{RRM}$	50	100	200	400	600	800	1000	V
DC Reverse Voltage 直流反向电压	$V_{R(DC)}$	50	100	200	400	600	800	1000	V
RMS Reverse Voltage 反向电压均方根值	$V_{R(RMS)}$	35	70	140	280	420	560	700	V
Reverse Recovery Time 反向恢复时间	$T_{RR}$	150				350	500		nS
Forward Rectified Current 正向整流电流	$I_F$					2			A
Peak Surge Current 峰值浪涌电流	$I_{FSM}$					70			A
Thermal Resistance J-A 结到环境热阻	$R_{\theta JA}$					75			$^{\circ}\text{C}/\text{W}$
Junction and Storage Temperature 结温和储藏温度	$T_J, T_{stg}$	150 $^{\circ}\text{C}$ , -55to+150 $^{\circ}\text{C}$							

■ **Electrical Characteristics 电特性**

( $T_A=25^{\circ}\text{C}$  unless otherwise noted 如无特殊说明, 温度为  $25^{\circ}\text{C}$ )

Characteristic 特性参数	Symbol 符号	Min 最小值	Typ 典型值	Max 最大值	Unit 单位	Condition 条件
Forward Voltage 正向电压降	$V_F$		1.3		V	$I_F=1\text{A}$
Reverse Current ( $T_A=25^{\circ}\text{C}$ ) 反向漏电流( $T_A=100^{\circ}\text{C}$ )	$I_R$			5 200	$\mu\text{A}$	$V_R=V_{RRM}$
Diode Capacitance 二极管电容	$C_D$		15		pF	$V_R=4\text{V}, f=1\text{MHz}$

■ Typical Characteristic Curve 典型特性曲线

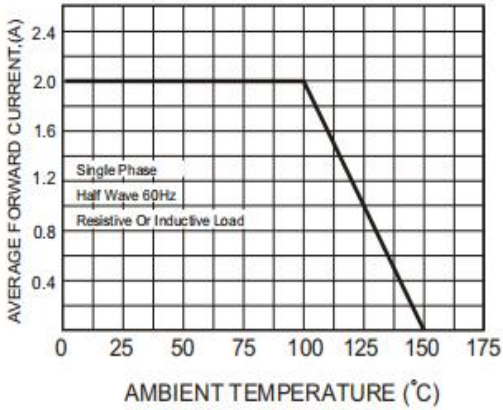


Figure 1: Forward Current Derating Curve

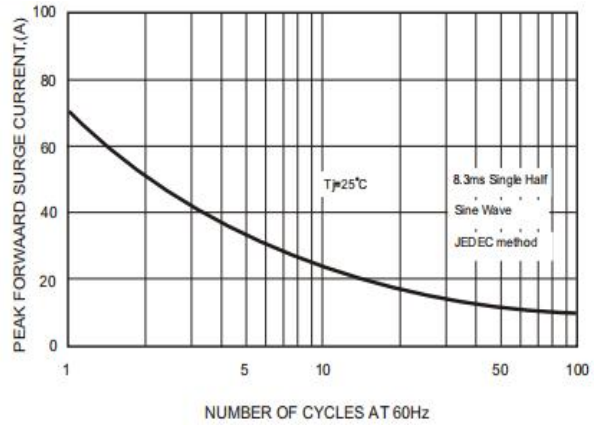


Figure 2: Peak Forward Surge Current

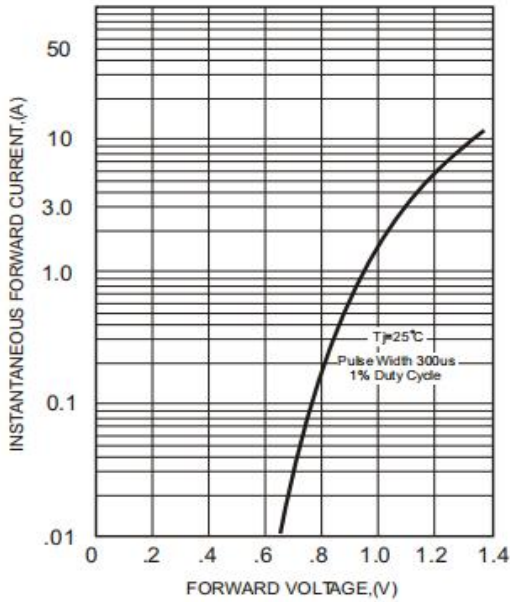


Figure 3: Instantaneous Forward Characteristics

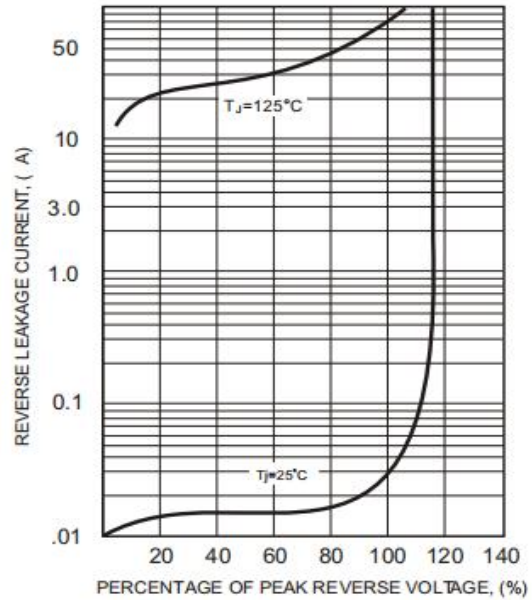
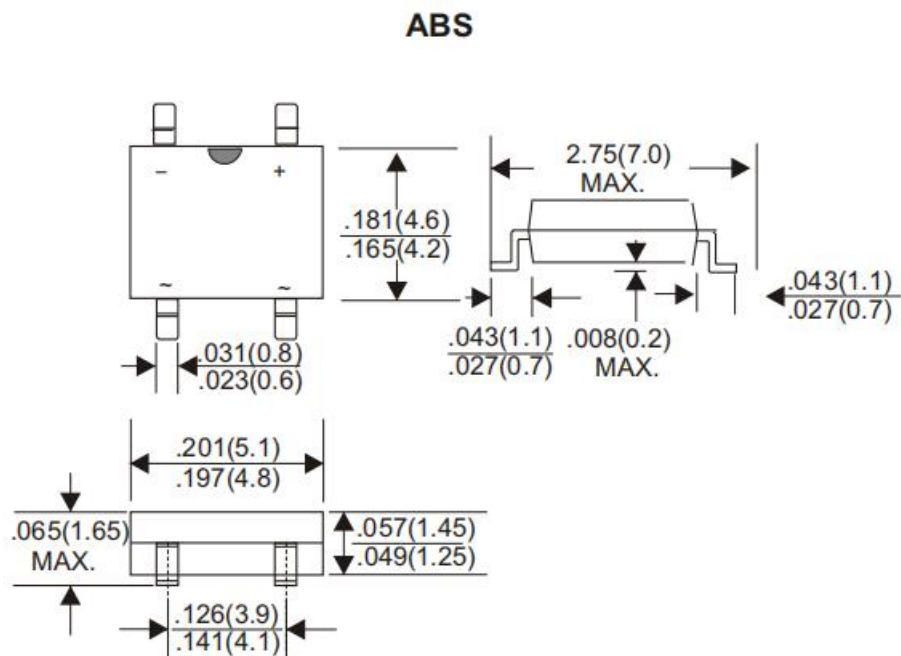


Figure 4: Reverse Leakage Characteristics

■Dimension 外形封装尺寸



Dimensions in inches and (millimeters)